

OUR APPROACH

ISELI has been founded by experts who share the same values for renewable, for sustainability and for excellence. Thanks to a team cumulating more than 50 years' experience in the PV modules manufacturing sector, ISELI designs and manufactures its TOP class products with the objectives to always provide the best Quality to its customers.

At ISELI, we exceed and re-invent the standards of the industry with one objective: Customer satisfaction.



AQUASOL POLY SERIES

100 HV



+ 0/+5 WP POSITIVE TOLERANCE

💧 WATER PUMP USE

✓ HIGH QUALITY

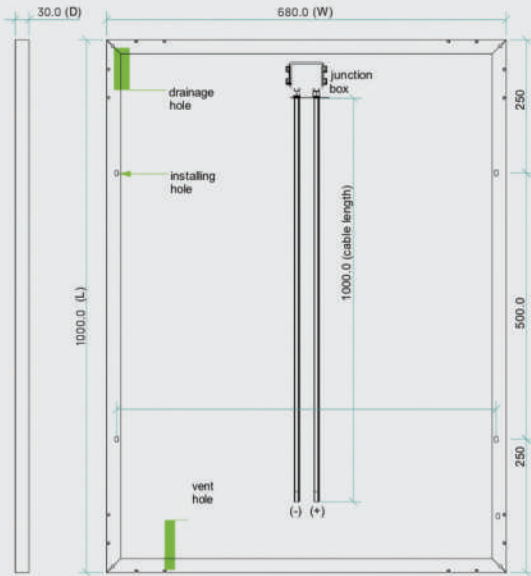
25 year linear performance
5 year product warranty



The high voltage solar panels designed for solar pumping.

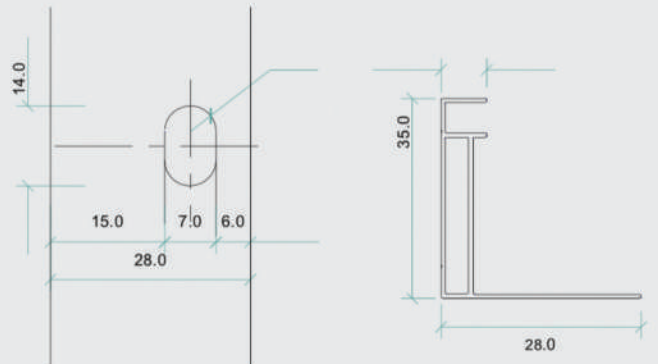


AQUA POLY SERIES 100 HV



GENERAL CHARACTERISTICS

Cell	Polychrystalline solar cell 156 x 59 mm
No. of Cells (connections)	72 (4x18)
Panel Dimensions	1000 x 680 x 30 mm
Weight	7.5 kg
Connectors and cable	Connectors and 1m cables



THERMAL CONDITIONS

Normal Operating Cell Temperature 800W/m ² Irradiance, 20°C, AM = 1.5	48C ±2°C
Power Temperature Coefficient	-0.5%/K
Current Temperature Coefficient	0.035%/K
Voltage Temperature Coefficient	-0.37 MV/K

LIMITS

Operating Temperature	-40°C to 85°C
Maximum System Voltage	1000V DC

ELECTRIC PERFORMANCE at STC*

Maximum Power	100 HV
Power Tolerance	0/+5 Wp
Maximum Power Voltage	36 V
Maximum Power Current	2.78 A
Open Circuit Voltage	44.4 V
Short Circuit Current	3.45 A

*Standard Test Conditions: 1000W/m² irradiance, 25°C and AM = 1.5

HIGH PERFORMANCE

25 25 years linear performance

5 5 years product warranty

