

## OUR APPROACH

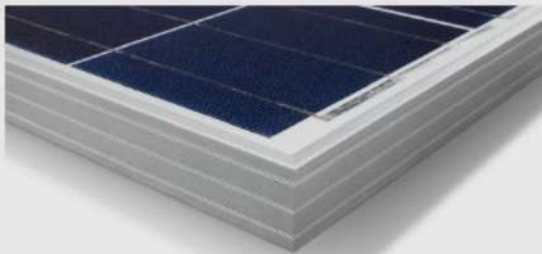
ISELI has been founded by experts who share the same values for renewable, for sustainability and for excellence. Thanks to a team cumulating more than 50 years' experience in the PV modules manufacturing sector, ISELI designs and manufactures its TOP class products with the objectives to always provide the best Quality to its customers.

At ISELI, we exceed and re-invent the standards of the industry with one objective: Customer satisfaction.



ENERSOL POLY SERIES

# 10 WP



**+** 0/+5 POSITIVE TOLERANCE

**↔** ROOFTOP AND OFF-GRID DESIGN

**✓** HIGH QUALITY

25 year linear performance  
5 year product warranty



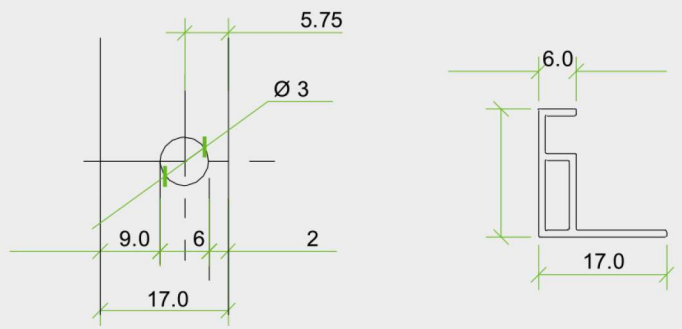
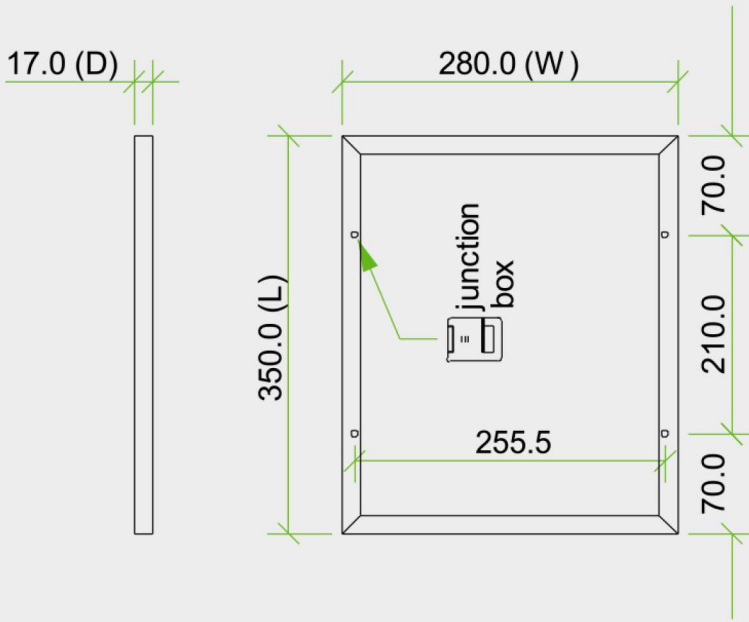
Thanks to the use of High Quality solar cells, our panels achieve outstanding performance and ensure maximum production output even under poor lighting conditions. The strong yet ultra light frames makes easy installation but robust for residential and commercial.



## GENERAL CHARACTERISTICS

## POLY SERIES 10WP

Cell	Polychrystalline solar cell 78x22mm
No. of Cells (connections)	36 (4x9)
Panel Dimensions	280 x 350 x 17mm
Weight	1kg
Connectors and cable	44 cm cable



## THERMAL CONDITIONS

Normal Operating Cell Temperature 800W/m <sup>2</sup> Irradiance, 20°C, AM = 1.5	48C ±2°C
Power Temperature Coefficient	-0.5%/K
Current Temperature Coefficient	0.035%/K
Voltage Temperature Coefficient	-0.37 MV/K

## ELECTRIC PERFORMANCE at STC\*

Maximum Power	10 Wp
Power Tolerance	0/+5 Wp
Maximum Power Voltage	0.56 A
Maximum Power Current	18 V
Open Circuit Voltage	21.1V
Short Circuit Current	0.73 A

## LIMITS

Operating Temperature	-40°C to 85°C
Maximum System Voltage	1000V DC

\*Standard Test Conditions: 1000W/m<sup>2</sup> irradiance, 25°C and AM = 1.5

## HIGH PERFORMANCE

**25** 25 years linear performance

**5** 5 years product warranty

