

OUR APPROACH

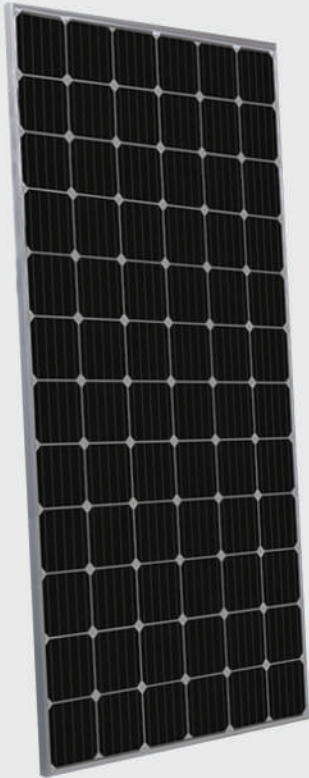
ISELI has been founded by experts who share the same values for renewable, for sustainability and for excellence. Thanks to a team cumulating more than 50 years' experience in the PV modules manufacturing sector, ISELI designs and manufactures its TOP class products with the objectives to always provide the best Quality to its customers.

At ISELI, we exceed and re-invent the standards of the industry with one objective: Customer satisfaction.



ENERSOL MONO SERIES

370 -390 WP



+ 0/+5 WP Positive Tolerance

↻ ROOFTOP AND OFF-GRID DESIGN

✓ HIGH QUALITY

25 year linear performance
12 year product warranty



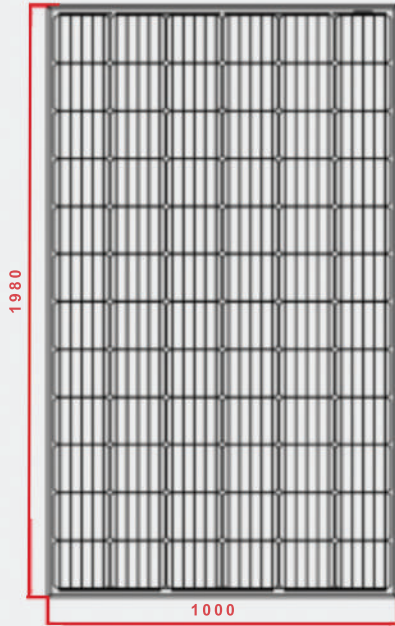
IEC 61215
IEC 61730



Thanks to the use of High Quality solar cells, our panels achieve outstanding performance and ensure maximum production output even under poor lighting conditions. The strong yet ultra light frames makes easy installation but robust for residential and commercial

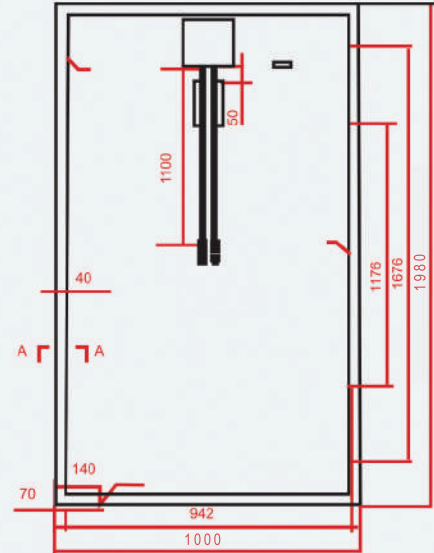


MONO SERIES 370-390 WP



GENERAL CHARACTERISTICS

Cell	Monocrystalline solar cell 156 x 156 mm
No. of Cells (connections)	72 (6x12)
Panel Dimensions	1980 x 1000 x 40 mm
Weight	22.2 kg
Connectors and cable	Connectors & 0.9 - 1.1m cables



THERMAL CONDITIONS

Normal Operating Cell Temperature 800W/m ² Irradiance, 20°C, AM = 1.5	48°C ±2°C
Power Temperature Coefficient	-0.5%/K
Current Temperature Coefficient	0.035%/K
Voltage Temperature Coefficient	-0.37 mV/K

ELECTRIC PERFORMANCE at STC*

	370 WP	375 WP	380 WP	385 WP	390 WP
Maximum Power	370 WP	375 WP	380 WP	385 WP	390 WP
Maximum Power Voltage	38.95V	39.20V	39.59V	39.90V	40.21V
Maximum Power Current	9.50 A	9.55 A	9.60 A	9.65 A	9.70 A
Open Circuit Voltage	48.19V	48.47V	48.75V	49.04V	49.35V
Short Circuit Current	10.00 A	10.06 A	10.12 A	10.17 A	10.22 A

*Standard Test Conditions: 1000W/m² irradiance, 25°C and AM = 1.5

LIMITS

Operating Temperature	-40°C to 85°C
Maximum System Voltage	1000V DC

HIGH PERFORMANCE

25 25 Years linear performance

12 12 years Product warranty

