

## OUR APPROACH

ISELI has been founded by experts who share the same values for renewable, for sustainability and for excellence. Thanks to a team cumulating more than 50 years' experience in the PV modules manufacturing sector, ISELI designs and manufactures its TOP class products with the objectives to always provide the best Quality to its customers.

At ISELI, we exceed and re-invent the standards of the industry with one objective: Customer satisfaction.



ENERSOL POLY SERIES

# 300 -340 WP



0/+5 POSITIVE TOLERANCE



ROOFTOP AND OFF-GRID DESIGN



HIGH QUALITY

25 year linear performance  
12 year product warranty

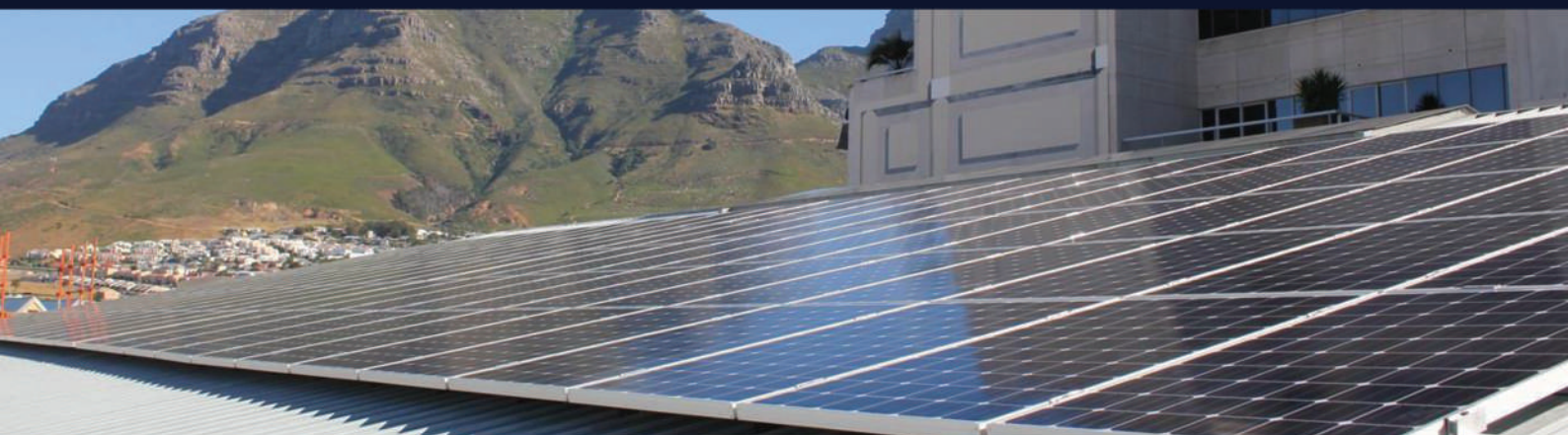


IEC 61215  
IEC 61730

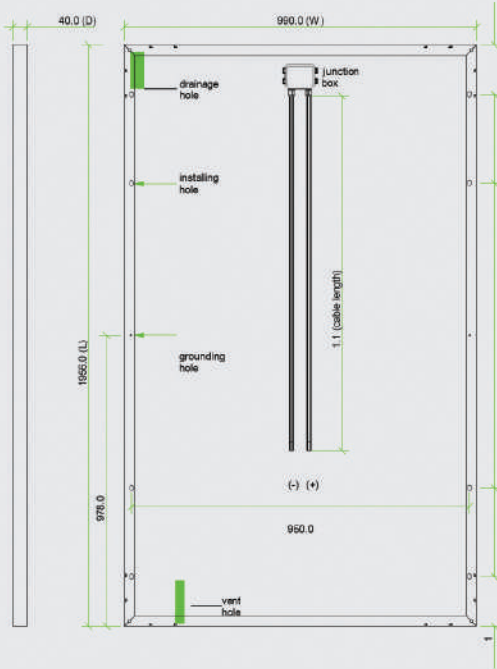


POLY SERIES

Thanks to the use of High Quality solar cells, our panels achieve outstanding performance and ensure maximum production output even under poor lighting conditions. The strong yet ultra light frames makes easy installation but robust for residential and commercial.

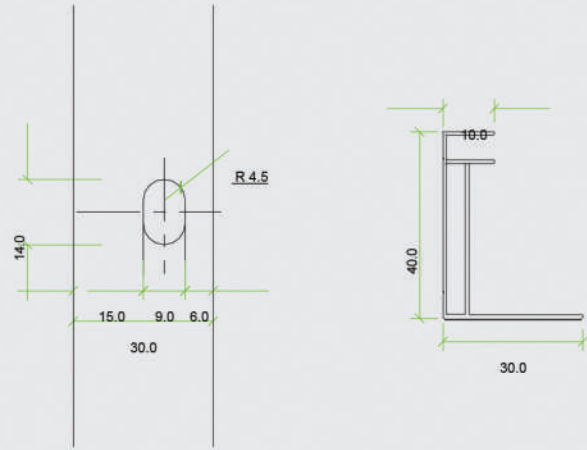


## POLY SERIES 300 - 340 WP



## GENERAL CHARACTERISTICS

Cell	Polychrystalline solar cell 156 x 156 mm
No. of Cells (connections)	72 (6x12)
Panel Dimensions	1956 x 992 x 35-40 mm
Weight	21 kg
Connectors and cable	Connectors & 0.9 - 1.1m cables



## THERMAL CONDITIONS

Normal Operating Cell Temperature 800W/m <sup>2</sup> Irradiance, 20°C, AM = 1.5	48C ±2°C
Power Temperature Coefficient	-0.5%/K
Current Temperature Coefficient	0.035%/K
Voltage Temperature Coefficient	-0.37 MV/K

## LIMITS

Operating Temperature	-40°C to 85°C
Maximum System Voltage	1000V DC

## ELECTRIC PERFORMANCE at STC\*

	300 Wp	305 Wp	310 Wp	315 Wp	320 Wp	325 Wp	330 Wp	335 Wp	340 Wp
Maximum Power	300 Wp	305 Wp	310 Wp	315 Wp	320 Wp	325 Wp	330 Wp	335 Wp	340 Wp
Power Tolerance	0/+5 Wp	0/+5 Wp	0/+5 Wp	0/+5 Wp	0/+5 Wp	0/+5 Wp	0/+5 Wp	0/+5 Wp	0/+5 Wp
Module efficiency	15.40%	15.70%	16.00%	16.30%	16.60%	16.90%	17.20%	17.50%	17.80%
Maximum Power Voltage	36.86 V	37.15 V	37.45 V	37.68 V	37.96 V	38.33 V	38.65 V	38.96 V	39.31 V
Maximum Power Current	8.14 A	8.21 A	8.28 A	8.36 A	8.43 A	8.48 A	8.54 A	8.60 A	8.65 A
Open Circuit Voltage	45.2V	45.35 V	45.44 V	45.36 V	45.69 V	45.8 V	45.86 V	45.90 V	45.94 V
Short Circuit Current	8.79 A	8.85 A	8.88 A	8.93 A	8.99 A	9.03 A	9.08 A	9.13 A	9.16 A

\*Standard Test Conditions: 1000W/m<sup>2</sup> irradiance, 25°C and AM = 1.5

## HIGH PERFORMANCE

**25** 25 years linear performance

**12** 12 years product warranty

