

## OUR APPROACH

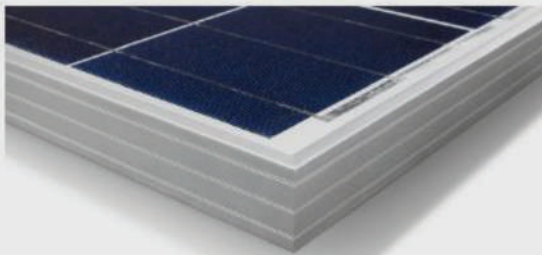
ISELI has been founded by experts who share the same values for renewable, for sustainability and for excellence. Thanks to a team cumulating more than 50 years' experience in the PV modules manufacturing sector, ISELI designs and manufactures its TOP class products with the objectives to always provide the best Quality to its customers.

At ISELI, we exceed and re-invent the standards of the industry with one objective: Customer satisfaction.



ENERSOL POLY SERIES

# 80 - 95 WP



**+** 0/+5 POSITIVE TOLERANCE

**↔** ROOFTOP AND OFF-GRID DESIGN

**✓** HIGH QUALITY

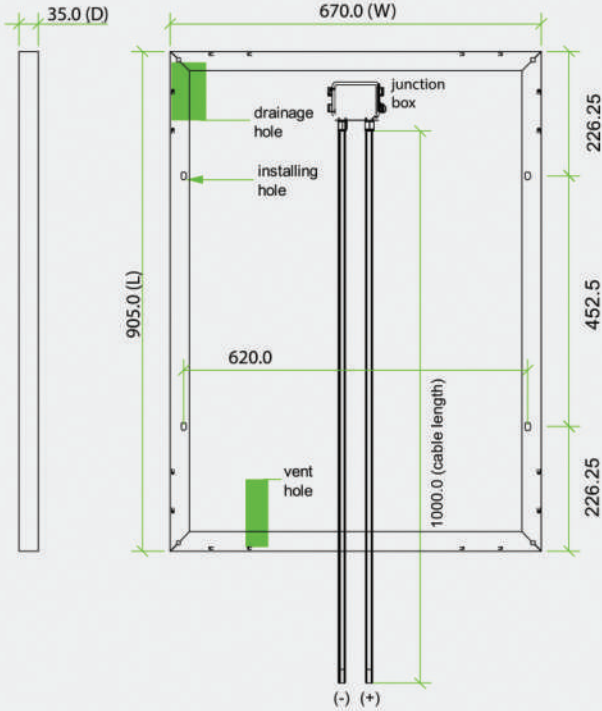
25 year linear performance  
5 year product warranty



Thanks to the use of High Quality solar cells, our panels achieve outstanding performance and ensure maximum production output even under poor lighting conditions. The strong yet ultra light frames makes easy installation but robust for residential and commercial.

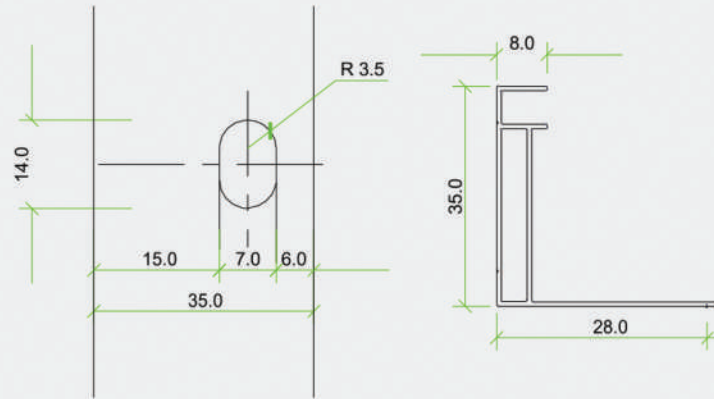


## POLY SERIES 80-95 WP



## GENERAL CHARACTERISTICS

Cell	Polychrystalline solar cell 156 x 93 mm
No. of Cells (connections)	36 (4x9)
Panel Dimensions	905 x 670 x 35 mm
Weight	6.5kg
Connectors and cable	Connectors and 1m cables



## THERMAL CONDITIONS

Normal Operating Cell Temperature 800W/m <sup>2</sup> Irradiance, 20°C, AM = 1.5	48C ±2°C
Power Temperature Coefficient	-0.5%/K
Current Temperature Coefficient	0.035%/K
Voltage Temperature Coefficient	-0.37 MV/K

## ELECTRIC PERFORMANCE at STC\*

Maximum Power Voltage	80 Wp	85 Wp	90 Wp	95 Wp
Maximum Power Current	0/+5 Wp	0/+5 Wp	0/+5 Wp	0/+5 Wp
Maximum Power Voltage	18 V	18 V	18 V	18 V
Maximum Power Current	4.44 A	4.72 A	5.11 A	5.37 A
Open Circuit Voltage	21.1 V	21.1 V	21.7 V	21.8 V
Short Circuit Current	5.56 A	5.9 A	5.44 A	5.71 A

\*Standard Test Conditions: 1000W/m<sup>2</sup> irradiance, 25°C and AM = 1.5

## LIMITS

Operating Temperature	-40°C to 85°C
Maximum System Voltage	1000V DC

## HIGH PERFORMANCE

**25** 25 years linear performance

**5** 5 years Product warranty

