

OUR APPROACH

ISELI has been founded by experts who share the same values for renewable, for sustainability and for excellence. Thanks to a team cumulating more than 50 years' experience in the PV modules manufacturing sector, ISELI designs and manufactures its TOP class products with the objectives to always provide the best Quality to its customers.

At ISELI, we exceed and re-invent the standards of the industry with one objective: Customer satisfaction.



ENERSOL MONO SERIES

180 WP



+ 0- /+5 POSITIVE TOLERANCE

↔ HIGH QUALITY

✓ HIGH MODULE EFFECIENCY



IEC 61215
IEC 61730



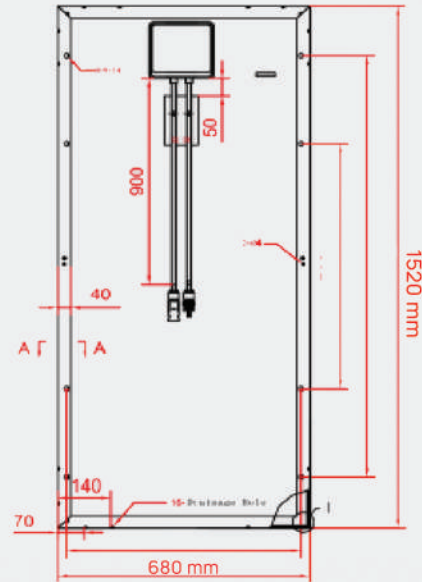
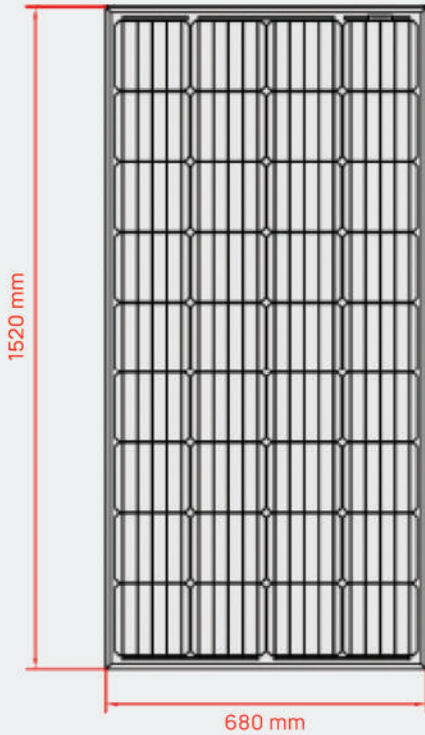
Dramatically reduce power loss up to 6% and lower risk of hot-spots due to lower temperature in partially shaded cells. Most importantly, half-cut cell solar panels offer improved performance and durability.



GENERAL CHARACTERISTICS

Cell	Monocrystalline cell 156.75 x 156.75 mm
No. of Cells(connections)	36(4x9)
Panel Dimensions	1520x680x30mm
Weight	12kg
Connectors and cable	MC4 & 900mm/4mm

MONO SERIES 180 WP



THERMAL CONDITIONS

Normal Operating Cell Temperature 800W/m ² Irradiance, 20°C, AM = 1.5	48C ±2°C
Power Temperature Coefficient	-0.5%/K
Current Temperature Coefficient	0.035%/K
Voltage Temperature Coefficient	-0.37 MV/K

ELECTRIC PERFORMANCE at STC*

Maximum Power	180 WP
Power Tolerance	0/+5 WP
Maximum Power Voltage	19.7 V
Maximum Power Current	9.14 A
Open Circuit Voltage	23.94 V
Short Circuit Current	9.51 A

LIMITS

Operating Temperature	-40°C to 85°C
Maximum System Voltage	1000V DC

*Standard Test Conditions: 1000W/m² irradiance, 25°C and AM = 1.5

HIGH PERFORMANCE

25 25 years linear performance

5 5 years product warranty

