

OUR APPROACH

ISELI has been founded by experts who share the same values for renewable, for sustainability and for excellence. Thanks to a team cumulating more than 50 years' experience in the PV modules manufacturing sector, ISELI designs and manufactures its TOP class products with the objectives to always provide the best Quality to its customers.

At ISELI, we exceed and re-invent the standards of the industry with one objective: Customer satisfaction.



POLY SERIES

160 WP

+ 0/+5 WP Positive Tolerance

↔ ROOFTOP AND OFF-GRID DESIGN

✓ HIGH QUALITY

25 year linear performance
5 year product warranty



IEC 61215
IEC 61730

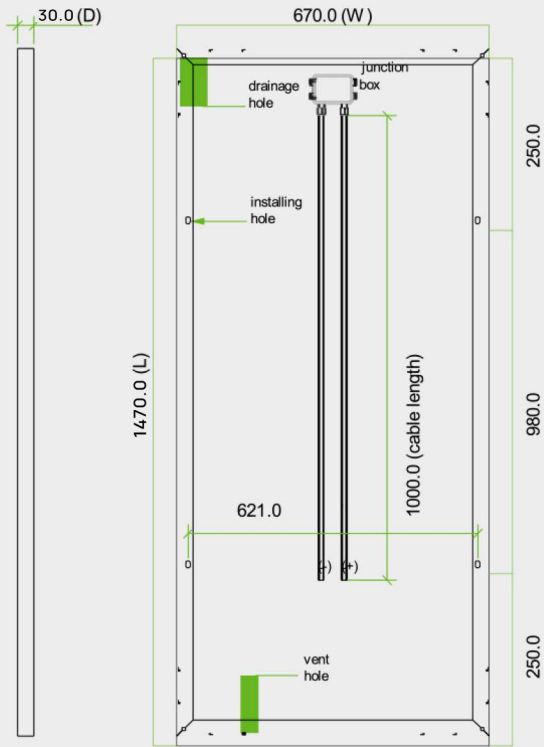


POLY SERIES

Thanks to the use of High Quality solar cells, our panels achieve outstanding performance and ensure maximum production output even under poor lighting conditions. The strong yet ultra light frames makes easy installation but robust for residential and commercial

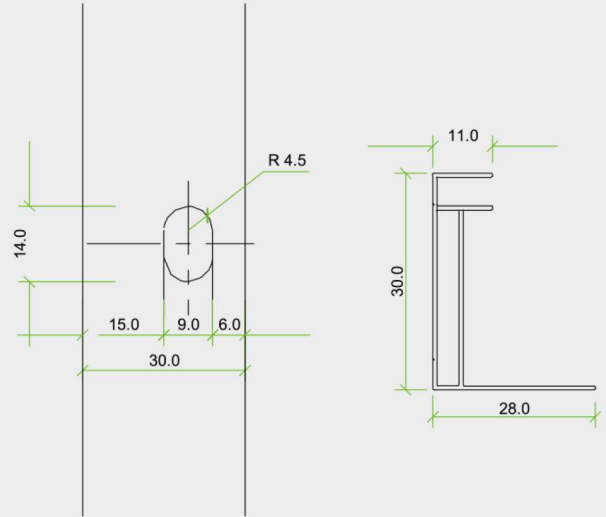


Poly Series 160 WP



GENERAL CHARACTERISTICS

Cell	Polychrystalline solar cell 156 x 156 mm
No. of Cells (connections)	36 (4x9)
Panel Dimensions	1470 x 670 x 30mm
Weight	10.5kg
Connectors and cable	Connectors and 1m cables



THERMAL CONDITIONS

Normal Operating Cell Temperature 800W/m ² Irradiance, 20°C, AM = 1.5	48C ±2°C
Power Temperature Coefficient	-0.5%/K
Current Temperature Coefficient	0.035%/K
Voltage Temperature Coefficient	-0.37 MV/K

LIMITS

Operating Temperature	-40°C to 85°C
Maximum System Voltage	1000V DC

ELECTRIC PERFORMANCE at STC*

Maximum Power	160 WP
Power Tolerance	0/+5%
Maximum Power Voltage	18.98 V
Maximum Power Current	8.43 A
Open Circuit Voltage	22.87 V
Short Circuit Current	8.99 A

*Standard Test Conditions: 1000W/m² irradiance, 25°C and AM = 1.5

HIGH PERFORMANCE

25 25 years linear performance

5 5 years product warranty

